

# FOOD SLICERS

## Electric gravity slicer - model 612p

Gravity slicer 612p (612pT with teflon – coated blade for slicing cheese) is a precise machine which allows slicing into slices of different thickness products like: cold cuts, cheese, meat in fast and precise way. Thanks to modern design and ergonomic solutions work with the machine is convenient and enjoyable. The machine is manufactured with the highest quality stainless steel.

Slicer meets the CE standards for safety and hygiene.



## DESCRIPTION

### Model Range

612p

## SPECIFICATIONS

### Finish

Elements of the slicer in contact with food made from stainless steel

### Knife material

Stainless, chromium steel

### Diameter of knife

300mm

### Knife sharpener

Integral with the machine

### Slice thickness

0 – 25mm

### Product sliced

Cold cuts, cheese, meat, bread

### Product limitations

Products which should not be sliced:

- ⊙ frozen food
- ⊙ products with bones
- ⊙ non food products

### Recommendation

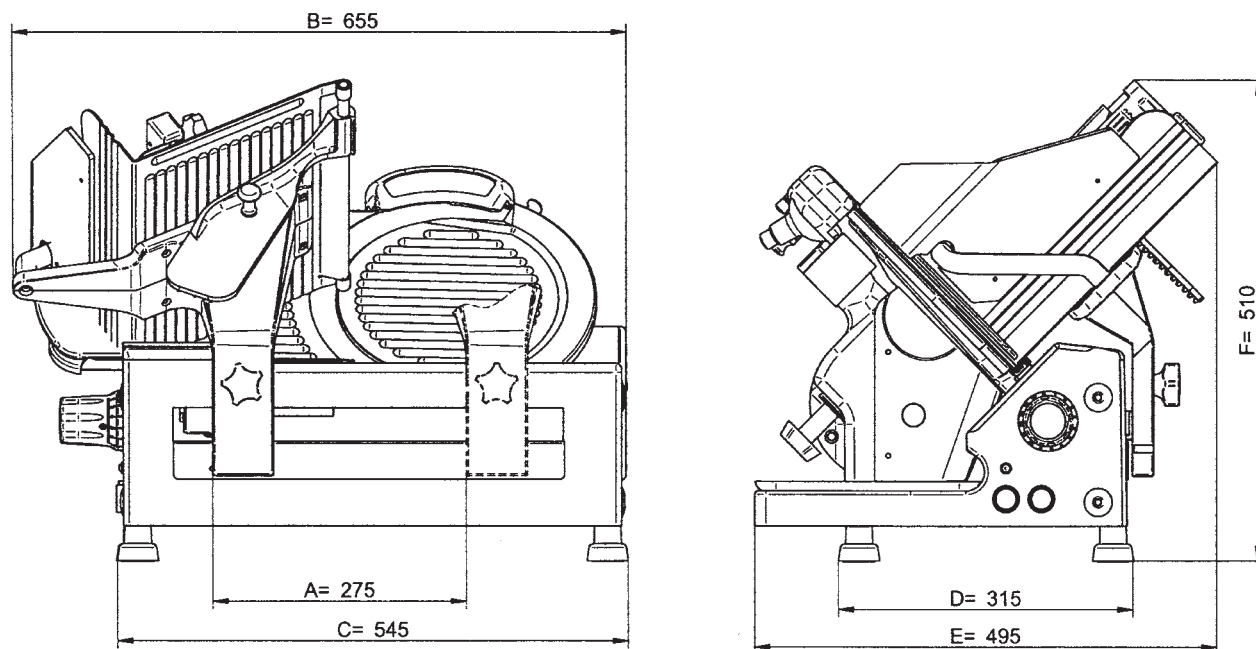
It is recommended to cut the cheese into slices cooled to the temperature 7 - 10 °C. The machine elements in contact with food should be washed every day, dry after washing. It is forbidden to wash all machine with water stream. Every day lubricate with machine oil (do not use cooking oil). In order to avoid premature rub the sharpener, only the clean knife should be sharpen (without the remnants of cut product).

### Approvals

Machine corresponds to the requirements of the following reference documents:

- ▶ Machinery Directive 2006/42/WE and norms harmonized:
  - ⊙ EN 60204-1:2006+A1:2009 (Electric safety)
  - ⊙ EN 953:1997+A1:2009 (Covers of moving parts)
  - ⊙ EN 1974:1998+A1:2009 (Slicers - health and safety requirements)

## DIMENSION CHART



## DIMENSIONS

Slicers: 612p, 612pT			
<b>A</b>	275mm	<b>D</b>	315mm
<b>B</b>	655mm	<b>E</b>	495mm
<b>C</b>	545mm	<b>F</b>	510mm

## TECHNICAL DATA (specification)

Slicers: 612p, 612pT	
<b>Overall dimensions</b>	495 x 655 x 510(H)mm
<b>Foot print</b>	315 x 545mm
<b>Slice thickness</b>	0 - 25mm (liquid regulation)
<b>Max. cutting size</b>	230mm (length), height depends on the length, max. 190mm
<b>Diameter of knife</b>	300mm
<b>Sound level</b>	≤ 54dB
<b>Electrical</b>	230V 50Hz 1 phase
<b>Power</b>	250W (knife drive)
<b>Weight (net)</b>	39kg
Options	
Electrical 115V 60Hz 1 phase	
Comments	
612pT slicer is intended primarily for slicing cheese, different from the 612p slicer the fact that the knife, knife cover and resistance plate are teflon coated	

## SHIPPING SPECIFICATIONS

Box Dimensions				
Slicers	Length	Width	Height	Gross Weight
612p	660mm	545mm	550mm	44kg
612pT	660mm	545mm	550mm	44kg